

Fig. 975 - Straight Sway Brace Fitting

Size Range — 1" bracing pipe. For brace pipe sizes larger than 1", use TOLCO Fig. 980.

Material — Carbon Steel

Function — For bracing pipe against sway and seismic disturbances. The building attachment component of a sway brace system; the Fig. 975 is used in conjunction with the Fig. 1000, Fig. 1001 or with a Fig. 4A Pipe Clamp and joined together with a brace pipe per NFPA 13.

Features — Open design allows for easy checking of thread engagement.

Approvals — Underwriters Laboratories Listed in the USA (**UL**) and Canada (**cUL**).

Installation — The Fig. 975 is the structural or transitional attachment component of a longitudinal or lateral sway brace assembly. It is intended to be combined with the "bracing pipe" and TOLCO "braced pipe" attachment, Fig. 1000, 1001, 4A, 4B or 4L to form a complete bracing assembly. NFPA 13 and/or OSHPD guidelines should be followed.

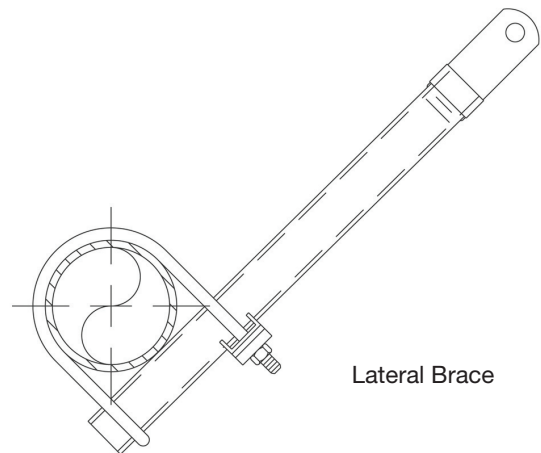
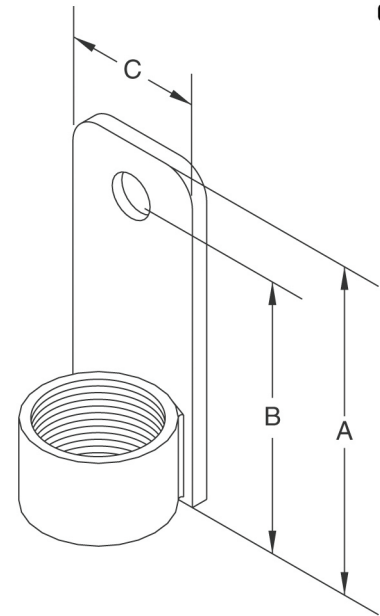
To Install — Thread the Fig. 975 onto the threaded bracing pipe. Attachment can pivot for adjustment to proper brace angle. (Bending of plate not permitted.)

Finish — Plain

Note — Available in Electro-Galvanized and HDG finish or Stainless Steel materials.

Order By — Figure number and finish.

Note — Bending of this fitting alters the material strength. Use Fig. 909 or Fig. 910 when angle fitting is required.



Lateral Brace

Dimensions • Weights

Pipe Size	A	B	C	Hole Size	Max. Design Load Lbs.	Approx. Wt./100
1	4	3 ½	1 ½	⅝	2015	88

NOTE - Available with hole sizes to accommodate up to ¾" fastener. Consult factory.

Cooper B-Line, Inc.'s ("Cooper B-Line") seismic bracing components are designed to be compatible only with other Cooper B-Line bracing components, resulting in a listed seismic bracing assembly. Cooper B-Line's warranty for seismic bracing components will be the warranty provided in Cooper B-Line's standard terms and conditions of sale made available by Cooper B-Line, except that, in addition to the other exclusions from Cooper B-Line's warranty, Cooper B-Line makes no warranty relating to Cooper B-Line's seismic bracing components that are combined with products not provided by Cooper B-Line.

COOPER B-LINE 1375 Sampson Ave • Corona, CA 92879 • 800.786.5266 • FAX: 951.737.0330